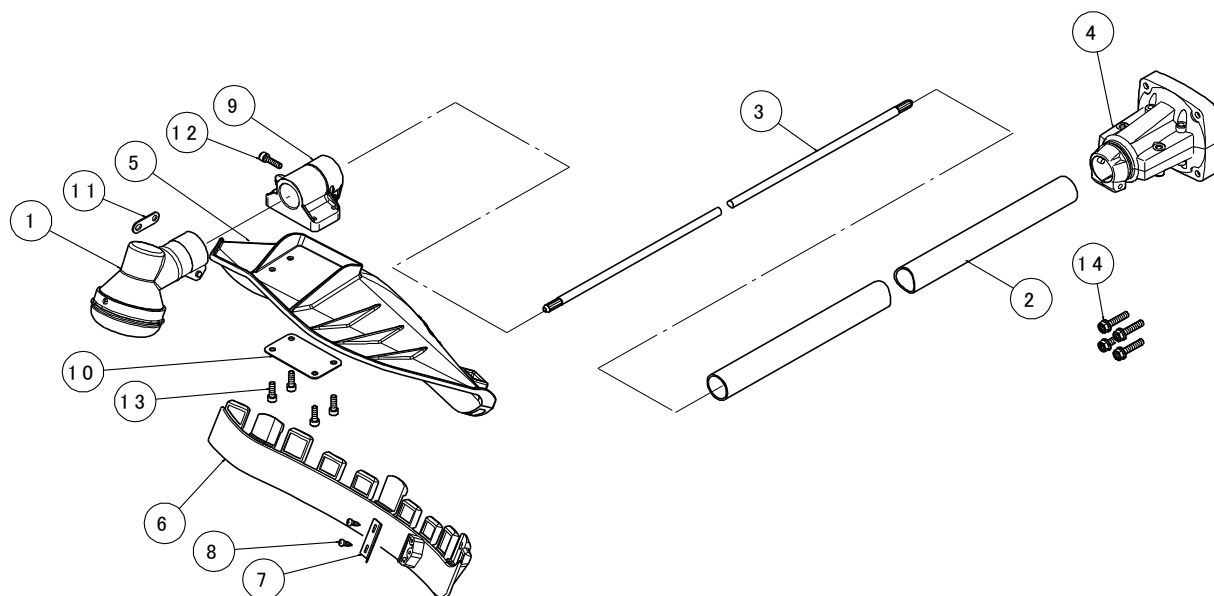
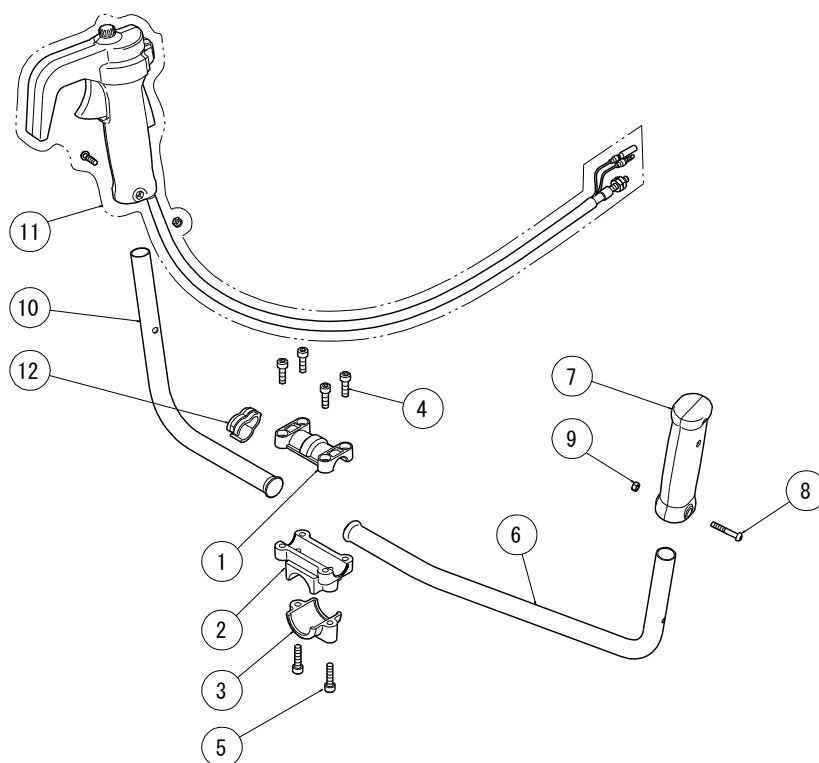


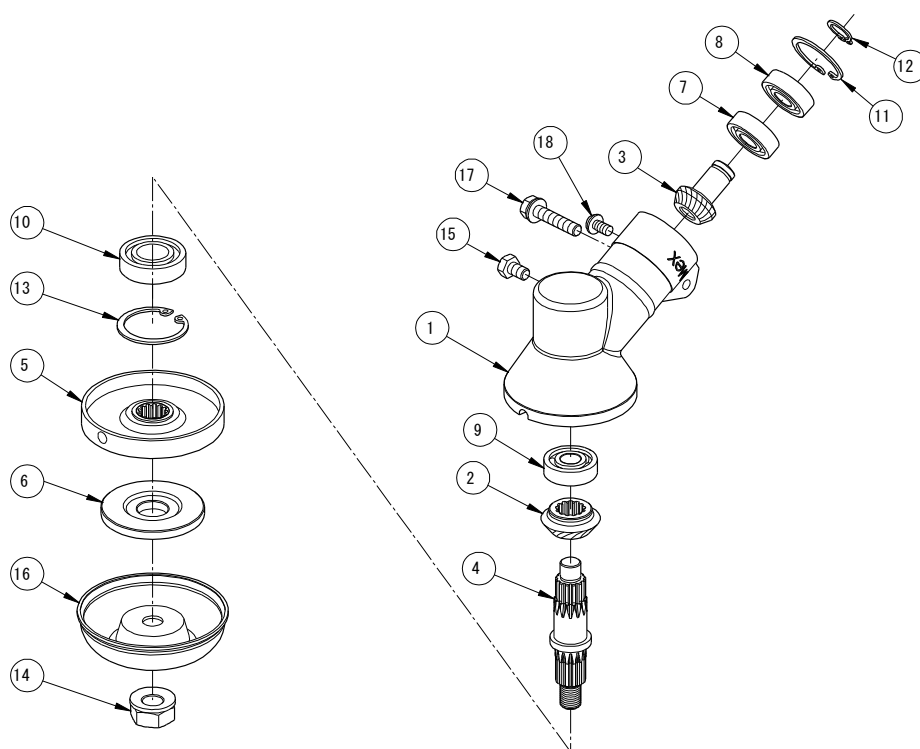
REF No.	CODE	NAME	QTY	Price ex-works	REMARKS
1	800204946	SHAFT SET	1		28
2	800204408	HANDLE SET	1		W type for EURO2
3	800200069	HANDLE DAMPER	1		for 28
4	801675731	WIRE GUIDE	2		for 28
5	801675729	HANGER STRAP STEM	1		for 28
6	800200001	SCREW	2		M6 × 12 (+)2P
7	801668671	HARNESS ASSY	1		Double belt
8	800200380	LABEL	1		178 × 35 PL
9	800204466	LABEL	1		106 × 20 CE08
10	800204754	LABEL	1		53 × 20 Model+dB
11	800201167	LABEL	1		143 × 29 MARUNAKA
12	800204464	LABEL	1		Φ20 Made in Japan
13	801688381	EYE PROTECTOR	1		
14	800200023	SPANNER	1		10 × 8
15	800200022	SPANNER	1		#4
16	800200042	SPANNER	1		#5
17	800203745	SPANNER	1		16 × 19
18	800200511	PROTECTOR	2		1Set
19	801689082	BAG	1		82 × 60
20	800200025	BAG	1		118 × 168
21	800200026	BAG	1		370 × 270
22	800204755	MANUAL	1		A4



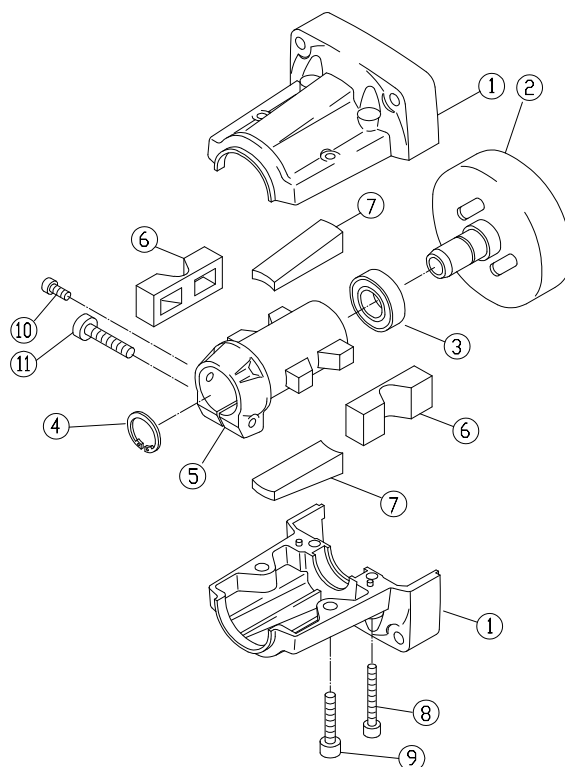
REF No.	CODE	NAME	QTY	Price ex-works	REMARKS
	800204946	SHAFT SET	1		28
1	800204528	GEAR CASE ASSY	1		for 28
2	801675727	DRIVE SHAFT HOUSING ASSY	1		$\phi 28 \times 1545$
2,1	801675728	DRIVE SHAFT HOUSING	1		$\phi 28 \times t2.0 \times 1545$
2.2	800201764	METAL CUSHION	6		C-28
2,3	800200029	OIL METAL	6		$\phi 8 \times \phi 14 \times 10$
3	801698906	DRIVE SHAFT	1		$\phi 8 \times 1590$
4	800202423	CLUTCH CASE ASSY	1		for 28
5	800205017	SAFETY GUARD	1		$393 \times 237 \times 92$
6	800201971	SAFETY GUARD ASSY	1		$415 \times 24 \times 67$
7	800201972	CUTTER	1		$38 \times 31.7 \times t1$
8	800200460	SCREW	2		#4 $\times 12(+)$ 2P
9	800204576	SAFETY GUARD HOLDER	1		for 28
10	800204580	SAFETY GUARD HOLDER (PLATE)	1		$66 \times 40 \times t1.5$
11	801675703	CONNECTOR	1		$35 \times 12 \times t1.5$
12	800200012	CAP BOLT	1		M5 $\times 20$
13	800200013	CAP BOLT	4		M5 $\times 16$
14	800200035	BOLT	4		M6 $\times 30 (+)3P$



REF No.	CODE	NAME	QTY	Price ex-works	REMARKS
	800204408	HANDLE SET	1		W type for EURO2
1	801689441	HANDLE HOLDER	1		for 19
2	801689443	HANDLE HOLDER	1		for 19
3	801675715	HANDLE HOLDER	1		
4	800200038	BOLT	4		M6 × 20
5	800200039	BOLT	2		M6 × 25
6	800200505	HANDLE	1		φ 19.1 × t1.2 LEFT
7	801655825	GRIP ASSY	1		
8	800203739	SCREW	1		M5 × 30(+)
9	800201048	NUT	1		M5
10	800200506	HANDLE	1		φ 19.1 × t1.2 RIGHT
11	801695931	THROTTLE LEVER ASSY	1		FOR EURO2 ENGINE W/NUT
12	801675722	WIRE GUIDE	1		for 19
	801698434	THROTTLE CABLE	1		V242W / 820mm + 140mm



REF No.	CODE	NAME	QTY	Price ex-works	REMARKS
	800204528	GEAR CASE ASSY	1		for 28
1	800204532	GEAR CASE	1		for 28
2	800204533	BEVEL GEAR	1		
3	800204534	PINION	1		
4	800204535	GEAR SHAFT	1		
5	800204536	HOLDER(A)	1		
6	800204537	HOLDER(B)	1		
7	800204538	BEARING	1		6001
8	800204539	BEARING	1		6001Z
9	800204540	BEARING	1		6000
10	800204541	BEARING	1		6002DDU
11	800200539	STOP RING	1		28
12	800200540	STOP RING	1		12
13	800200005	STOP RING	1		32
14	800204542	NUT	1		M10×1.25L
15	800204505	BOLT	1		M6×8
16	800204543	STABILIZER	1		ワル70×20
17	800200035	BOLT	1		M6×30 (+)3P
18	800200034	SCREW	1		M5×10 (+)2P



REF No.	CODE	NAME	QTY	Price ex-works	REMARKS
	800202423	CLUTCH CASE ASSY	1		for 28
1	800202144	CLUTCH HOUSING	1		94.35 × 92 × 46
2	801688365	CLUTCH DRUM	1		φ 78
3	800200004	BEARING	1		6002ZZ
4	800200006	STOP RING	1		S-15
5	800202146	CLUTCH HOUSING HOLDER	1		for 28
6	801693572	HOUSING DAMPER	2		20 × 50 × 13
7	801652258	HOUSING DAMPER	2		
8	800200032	CAP BOLT	2		M5 × 30
9	800200033	CAP BOLT	2		M6 × 25
10	800200034	SCREW	1		M5 × 10 (+)2P
11	800200035	BOLT	1		M6 × 30 (+)3P